

Ductwork Components

Xcel Ductwork Jointing System

Slide on Flange Details & Specifications

- Provides for rapid assembly of cross joints.
- Integral pocket with permanently flexible non toxic sealant.
- Available in standard Euro sizes of 20mm, 30mm and 40mm.
- Fully conforms to UK, B&ES Specification DW/144 (2013).
- Awarded Quality Assurance Certification BS EN ISO 9001.
- Full range of accessories to suit all sizes of flange.
- Tested & certified by BSRIA in accordance with the B&ES (formally HVCA) test procedures DW/TM1.
- Suitable for B&ES specification DW/144 for Joint Ratings up to J4 and pressure classes A, B and C.



Design Specification

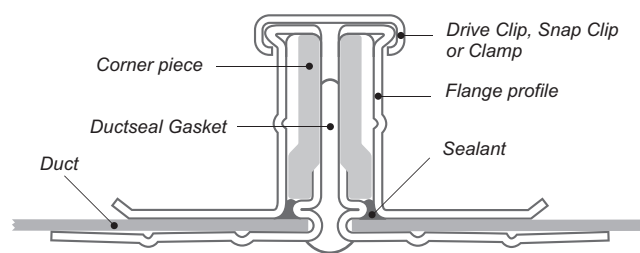
During the manufacturing process the sealant pocket is rolled into the profile and airtightness is ensured by the inclusion of a non-toxic sealant

The corner is formed to enable the duct to pass into the integral sealant during fabrication.

All rectangular ductwork cross joints shall be the Xcel slide on flange type complete with captive sealant pocket with integral permanently flexible non toxic sealant, consisting of a Galvanised MS profile and EZP corner pieces. The appropriate size of flange shall be fitted to the ductwork as covered by the construction tables 2.2, 3.2 and 4.2 of specification DW/144, shall be independently tested to the procedures of BSRIA in accordance with HVCA specification DW/TM1, and as manufactured by Doby Verrolec. The flange

shall be fitted to the ductwork and assembled on site with the appropriate gasket all to the manufacturers instructions, (see separate fabrication & installation instructions).

Xcel Profile - Cross Section



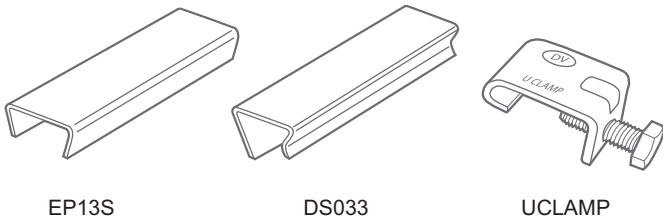
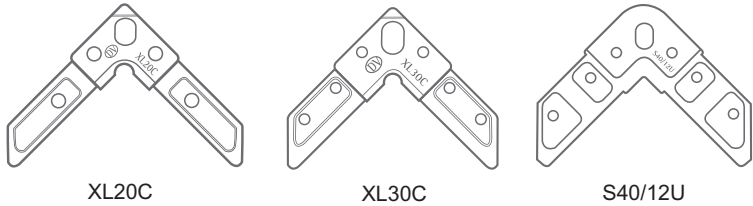
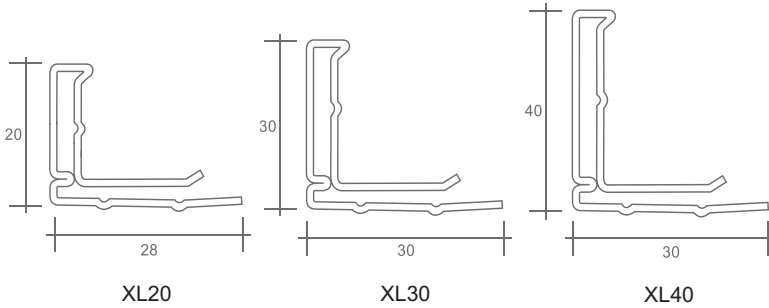
DW/TM1 Test Results

Pressure Class	Joint Rating	Pressure Class		
		A	B	C
XL20	J2	✓	✓	✓
XL30	J3	✓	✓	✓
XL30	J4	✓	✓	✓
XL40	J4	✓	✓	✓

As tested by BSRIA in accordance with B&ES (formally HVCA) specification DW/TM1 test procedures March 1996. Retested in accordance with DW/TM1 December 2007 & approved by B&ES.



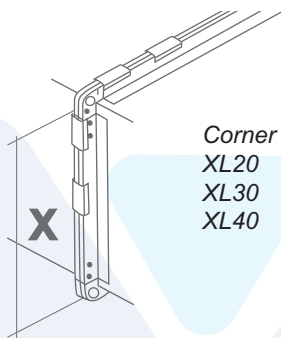
Product Details & Specifications



Ductseal Gasket

Ductseal Gasket has a cross linked closed cell polyethylene foam combined with a high grab sensitive adhesive to give good all round sealing properties. Temperature range -70°C to $+95^{\circ}\text{C}$. We recommend the use of the appropriate 'DUCTSEAL' gasket to ensure performance in accordance with our DW/TM1 test results. Supplied in blue for easy identification.

Corner Hole Centering



Corner Holes Centres (X)
 XL20 Ductsize plus 20 nom
 XL30 Ductsize plus 30 nom
 XL40 Ductsize plus 40 nom

Flange Profiles

	gauge(mm)	weight(kg)
XL20	0.7	0.538/m
XL30	0.8	0.712/m
XL40	1.0	1.028/m

Steel Grade and surface coating is BS EN 10346:2015 DX51D +Z275 MAC.

Integral Sealant, Evode Glasticon 126 Solvent Free permanently non-setting mastic.

Xcel profiles are also available in heavier gauges.

Corner Pieces

	gauge(mm)	weight(kg)
XL20C	2.3	8.5/250
XL30C	2.3	10.7/150
S40/12U	3.0	7.4/50

Steel Grade EN 10111:1998-DD11 Pickled & Oiled Finish - Zinc and clear passivate to BS EN 12329-Fe/Zn5/A.

Clips and Clamp

	gauge(mm)	weight(kg)
EP13S	0.8	5.4/200
DS033	0.8	8.2/200
UCLAMP	3.0	14.0/300

Steel Grade EN 10111:1998-DD11 Pickled & Oiled Finish - Zinc and clear passivate to BS EN 12329-Fe/Zn5/A.

Packing details

Profiles

XL20	500m Bundle
XL30	500m Bundle
XL40	250m, 500m & 1000m Bundles

5000mm standard length, 3000mm to order.

Corner Pieces

XL20C	in boxes of 250
XL30C	in boxes of 150
S40/12U	in boxes of 50

Clips

EP13S	in boxes of 200
DS033	in boxes of 200

Clamps

UCLAMP	in boxes of 300
--------	-----------------

Gasket

DS120	in cartons of 510m (34 rolls)
DS130	in cartons of 300m (20 rolls)
DS140	in cartons of 300m (20 rolls)

Corner Nuts and Set Screws

DS160 - DS163	in boxes of 250
---------------	-----------------