

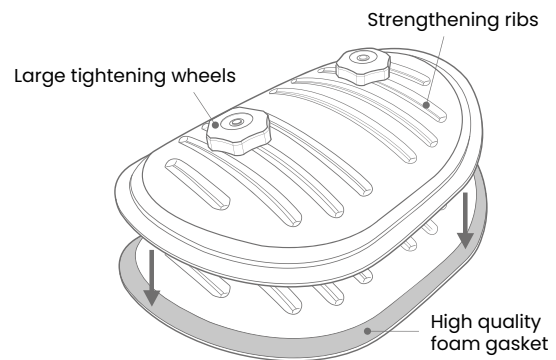
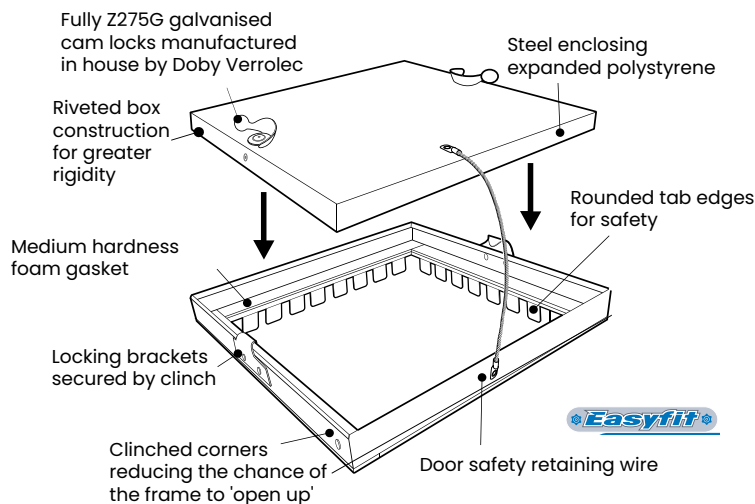
- ▶ Both door types have been pressure tested independently by BSRIA.
- ▶ Suitable for low, medium or high-pressure applications, (to 2000pa positive).
- ▶ Tabbed doors come with a fully Z275G galvanised steel coating as standard or stainless steel on request, including the locking cams.
- ▶ Fully conforms to BESA DW144 requirements and BS EN15727:2010.
- ▶ Easy fit applications - no sealant or extra fixings required.
- ▶ Rounded tab edges for safety.
- ▶ Supplied with door safety retaining wire as standard.
- ▶ Provides easy access to duct installations for inspection and maintenance.



Tabbed Access Door - UK Made



Curved Access Door



Door panels are constructed from Z275G coated galvanised steel with the door frame made from 0.9mm gauge galvanised steel. Each door is insulated with high density (20kg/m³) EPS 100 expanded polystyrene with additional flame retardant additive (BS38837 Part 1).

Thermal conductivity is 0.036 Wm⁻¹K⁻¹ tested according to BS EN 13163 thermal insulation products for buildings. It is important to note that any loss of thermal performance over time must be taken in to account when declaring conductivity data. This requirement does not effect EPS which retains its 'as new' thermal characteristics indefinitely, but will be significant for other materials. Internal gasket is of a closed cell medium hardness compression foam.

Design Specification

Our duct access doors are designed to provide inexpensive and trouble free access to fire and volume control dampers and associated ventilation and air conditioning equipment mounted

within ductwork. Each door comes complete with a safety retaining wire as standard. When removing the tabbed access door for inspection, care must be taken. The standard safety retaining wire is not designed to be used as the doors only point of support.

Our curved doors are suitable for spiral and straight seamed ducts with a size range of 100mm to 2000mm Ø. The range of six sizes have been carefully selected to provide suitably sized apertures relative to the size of ducting required. Every curved access door is supplied complete with a self-adhesive cutting template which eliminates the need for any measuring or marking out.

DW144/143 Test Results

The doors meet the requirement of DW144/143 specification regarding air leakage criteria. Both door types have been tested and witnessed by BSRIA. Test data is available on request. Suitable for low, medium or high-pressure applications, (to 2000pa positive).



Tabbed Access Door – References & Sizes



All doors supplied with safety retaining wire as standard

Stock Sizes

Reference	Door size	Reference	Door size
ADTR10	100 x 100 mm	ADTR30	300 x 300 mm
ADTR105	100 x 150 mm	ADTR34	300 x 450 mm
ADTR12	100 x 200 mm	ADTR35	350 x 350 mm
ADTR15	150 x 150 mm	ADTR36	300 x 600 mm
ADTR152	150 x 200 mm	ADTR40	400 x 400 mm
ADTR153	150 x 300 mm	ADTR43	400 x 300 mm
ADTR20	200 x 200 mm	ADTR45	450 x 450 mm
ADTR23	200 x 300 mm	ADTR46	400 x 600 mm
ADTR24	400 x 200 mm	ADTR50	500 x 500 mm
ADTR25	250 x 250 mm	ADTR60	600 x 600 mm

Tabbed Access Door – Material Specification



- ▶ Door Panels - formed from Z275G galvanised mild steel
- ▶ Locking Cams & Brackets - Z275G galvanised mild steel
- ▶ Gasket - Closed cell medium hardness compression gasket
- ▶ Internal Insulation - Expanded Polystyrene EPS 100 HD FR which retains its 'as new' thermal characteristics indefinitely
- ▶ Door height: 25mm

Tabbed Access Door – References & Sizes



Ref. No.	Door	Cam No's	Individual Weight	Box Weight	Box Qty
ADTR10	100 x 100 mm	2	0.35 Kg	1.75 Kg	5
ADTR105	100 x 150 mm	2	0.47 Kg	2.35 Kg	5
ADTR12	100 x 200 mm	2	0.57 Kg	2.85 Kg	5
ADTR15	150 x 150 mm	2	0.60 Kg	3.00 Kg	5
ADTR152	150 x 200 mm	2	0.75 Kg	3.75 Kg	5
ADTR153	150 x 300 mm	2	1.03 Kg	5.15 Kg	5
ADTR20	200 x 200 mm	2	0.90 Kg	4.50 Kg	5
ADTR23	200 x 300 mm	2	1.27 Kg	6.35 Kg	5
ADTR25	250 x 250 mm	2	1.25 Kg	6.25 Kg	5
ADTR30	300 x 300 mm	4	1.57 Kg	7.85 Kg	5
ADTR35	350 x 350 mm	4	1.91 Kg	9.55 Kg	5
ADTR40	400 x 400 mm	4	2.44 Kg	12.20 Kg	5
ADTR45	450 x 450 mm	4	2.95 Kg	14.75 Kg	5
ADTR24	400 x 200 mm	4	1.61 Kg	8.05 Kg	5
ADTR34	300 x 450 mm	4	2.14 Kg	10.70 Kg	5
ADTR36	300 x 600 mm	4	2.82 Kg	14.10 Kg	5
ADTR46	400 x 600 mm	6	3.59 Kg	17.95 Kg	5
ADTR50	500 x 500 mm	8	3.63 Kg	18.15 Kg	5
ADTR60	600 x 600 mm	8	5.19 Kg	25.95 Kg	5



Curved Access Door – References & Sizes

Stock Sizes

Door Ref:	EF18	EF25	EF30	EF40	EF50	EF60
	Door Size (mm)					
	180 x 80	250 x 150	300 x 200	400 x 300	500 x 400	600 x 450
100	EF1810					
112	EF1811					
125	EF1812					
140	EF1814					
150	EF1815	EF2515				
160	EF1816	EF2516				
180	EF1818	EF2518				
200	EF1820	EF2520				
224	EF1822	EF2522				
250	EF1825	EF2525				
280	EF1828	EF2528				
300	EF1830	EF2530				
315		EF2531	EF3031			
355		EF25355	EF30355			
400		EF2540	EF3040	EF4040		
450		EF2545	EF3045	EF4045		
500		EF2550	EF3050	EF4050		
550			EF3055	EF4055		
560			EF3056	EF4056		
600			EF3060	EF4060		
630			EF3063	EF4063	EF5063	
700				EF4070	EF5070	
710				EF4071	EF5071	EF6071
800				EF4080	EF5080	EF6080
850				EF4085	EF5085	EF6085
900				EF4090	EF5090	EF6090
1000					EF50100	EF60100
1120					EF50112	EF60112
1250					EF50125	EF60125
1400						EF60140
1500						EF60150
1600						EF60160

Duct Diameter (mm)

Curved Access Door – Material Specification

- ▶ Door Panels - formed from galvanised mild steel
- ▶ Tightening Wheel - Polyamide (Nylon)
- ▶ Bolts/Nuts - Zinc plated mild steel
- ▶ Gasket - Closed cell high quality sealing gasket

Curved Access Door – References & Sizes

Ref. No.	Door	Individual Weight	Box Weight	Box Qty
EF18	180 x 80 mm	0.28 Kg	2.80 Kg	10
EF25	250 x 150 mm	0.58 Kg	2.90 Kg	5
EF30	300 x 200 mm	0.84 Kg	4.20 Kg	5
EF40	400 x 300 mm	1.39 Kg	6.95 Kg	5
EF50	500 x 400 mm	3.82 Kg	19.10 Kg	5
EF60	600 x 450 mm	5.00 Kg	25.00 Kg	5

Both door types conform to British Standard BS EN 10142:2000 steel grade & coating specification BS EN 10346:2015 DX51D +Z275 MAC. Stainless Steel available to special order.

EasyFit Access Doors

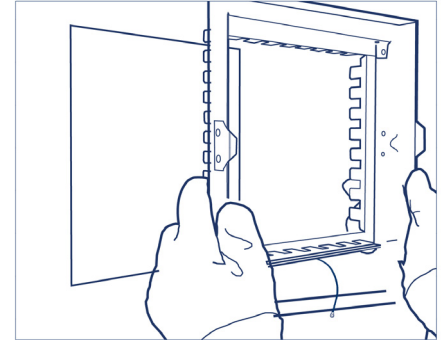


Tabbed Access Door – Fitting Instructions

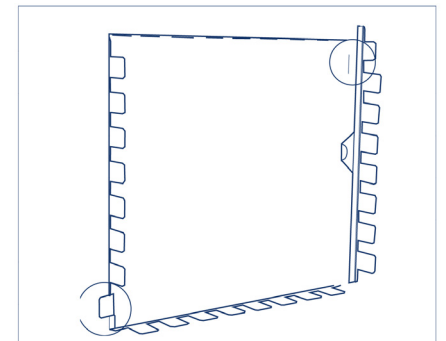


The required aperture for the access door to fit into should be between 30–32mm smaller than the door size being used.

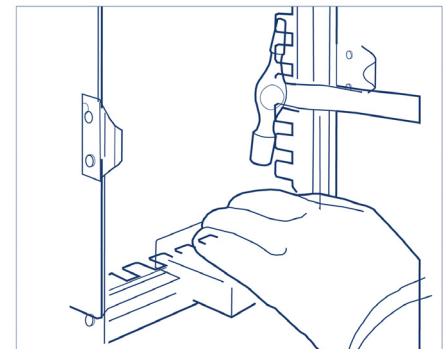
Swing the wire retrained door carefully away to the bottom as shown in the diagram opposite prior to fitting. All doors are connected to the door frame with a safety retaining wire. When removing the tabbed access door for fitting and later, inspection, care must be taken. The standard safety retaining wire is not designed to be used as the doors only point of support.



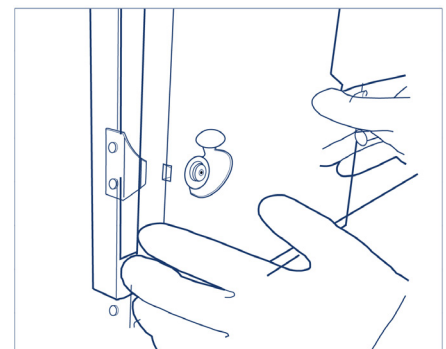
Ensure the location is marked on the duct surface at the correct dimensions required for the hole size and cut aperture carefully and safely. Secure the access door sub frame into the aperture by pressing down two tabs from diagonally opposed corners.



Using a support to hammer against, tap over the remaining metal tabs on the fitted sub-frame and ensure that all tabs are knocked over and the sealing gasket is under compression on all faces, including the corners.



Complete the fit by mounting the remaining door into the frame and tighten the cam locks to the degree of tightness required – do not over tighten. Make sure also that the retaining wire is not snagged between the door and frame. Ensure cam locks are locked in to position after installation/maintenance and before putting the system under pressure.



Safety!

The diagrams and text above are shown for guidance purposes only. When working with shears and steel products care must be taken to avoid accidents and suitable PPE protective clothing should be worn to minimise the risk of injury.

Doby Verrolec

Harelaw Industrial Estate, Stanley
County Durham, DH9 8UJ, England

T +44 (0) 1207 238844

E enquiries@dobyverrolec.com

W www.dobyverrolec.com



Our accreditations



PlanetMark
Certified Business

Any samples, drawings, descriptive matter or advertising and any illustrations or descriptions of Doby Verrolec's goods and/or services contained in our website, catalogues, brochures or other literature are issued or published for the sole purpose of giving an approximate idea of the services and/or goods described in them. They shall not form part of any contract with us, or have any contractual force. Doby Verrolec therefore do not accept liability for any errors and/or omissions contained in such literature.

The information contained herein is subject to change without prior notice due to continuing research and development. Doby Cleats Ltd t/a Doby Verrolec is a private limited company registered in England and Wales under registration number 00952089.

dobyverrolec.com