

Ductwork Components

VerroFlange Ductwork Jointing System

Slide on Flange Details & Specifications



- Provides for rapid assembly of cross joints.
- Permanently flexible non-toxic sealant injected into the profile during manufacture.
- Available in standard metric sizes of 20mm, 30mm and 40mm.
- Fully conforms to UK, HVCA specification DW144.
- Awarded Quality Assurance Certification BS EN ISO 9001.
- Full accessory range to suit all sizes of flange, choice of material types and gauges.
- Tested and certified by BSRIA in accordance with the B&ES (formally HVCA) test procedures DW/TM1.
- Suitable for B&ES specification DW/144 for Joint Ratings up to J6 and pressure classes A, B, C and D.

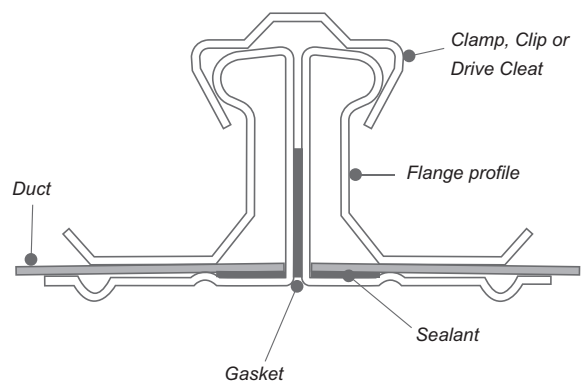
Design Specification

During the manufacturing process the sealant pocket is rolled into the profile and airtightness is ensured by the inclusion of a non-toxic sealant.

All rectangular ductwork cross joints shall be the VerroFlange slide on flange type complete with integral permanently flexible non-toxic sealant, consisting of a Galvanised MS Profile and EZP Corner Pieces. The appropriate size of flange shall be fitted to the ductwork as covered by the construction tables 2 to 4 of specification DW144. Shall be independently tested to the procedures of BSRIA in accordance with HVCA specification DW/TM1 and as manufactured by Doby Verrolec. The flanges shall be fitted to

the ductwork and assembled on site where appropriate with the correct gasket, all to the manufacturers instructions.

VerroFlange Profile - Cross Section



DW/TM1 Test Results

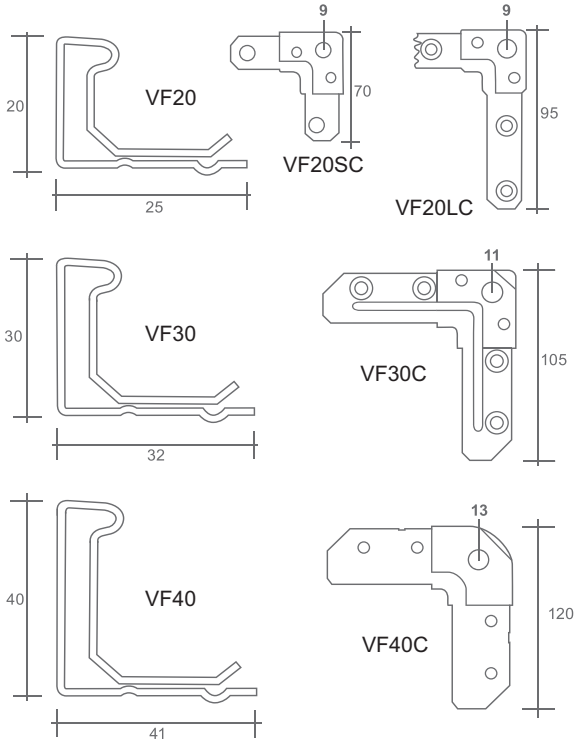
Profile	Joint Rating	Pressure Class			
		A	B	C	D
VF20	J2	✓	✓	✓	✓
VF30	J3	✓	✓	✓	✓
VF30	J4	✓	✓	✓	✓
VF40	J5	✓	✓	✓	✓
VF40 ⁽¹⁾	J6	✓	✓	✓	✓

(1) When used with a Central Tie Bar.

As tested by BSRIA in accordance with HVCA specification DW/TM1 test procedures.



Product Details & Specifications



Flange Profiles

	gauge(mm)	weight(kg)
VF20	0.8	0.52/m
VF30	1.0	0.86/m
VF40	1.25	1.38/m

British Standard steel grade and coating specification
BS EN 10346:2015 DX51D +Z275 MAC.

Integral sealant, Evode Glasticon 126 solvent free permanently non-setting mastic.

Corner Pieces

	gauge(mm)	weight(kg)
VF20SC	2.5	9.5/250
VF20LC	2.5	14.0/250
VF30C	3.0	15.0/125
VF40C	5.0	13.7/50

Hot rolled steel to BS EN 10111:1998.

Steel grade EN 10111 - DD11 Pickled & Oiled finish - Zinc and clear passivate to BS EN 12329 - Fe/Zn5/A

Clips, Cleats & Clamp

	gauge(mm)	weight(kg)
VF20CL	1.2	6.6/200
VF30CL	1.2	7.4/200
VF20CT	1.2	0.33/m
VF30CT	1.2	0.38/m
VFGC	3.0	5.4/100

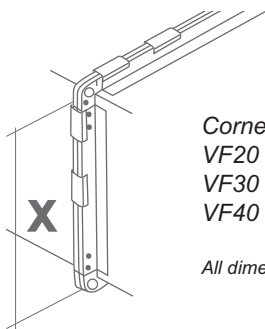
Coating specifications as per Flange Profiles above (minus sealant details).

VerroFlange profiles are also available in different materials, (Aluminium, or Stainless Steel).

Ductseal Gasket

A cross linked Medium Density P.V.C. closed cell foam combined with a high grab sensitive adhesive to give good all round sealing properties. Temperature range -40°C to $+70^{\circ}\text{C}$. We recommend the use of the appropriate gasket to ensure performance in accordance with our DW/TM1 test results, where application allows. Supplied in green for easy identification.

Corner Hole Centering



Corner Holes Centres (X)

VF20	Ductsize plus 20 nom
VF30	Ductsize plus 32 nom
VF40	Ductsize plus 30 nom

All dimensions are in millimetres

Packing details

Profiles

Bundles of 250m and 75m, 5000mm standard length, 3000mm to order.

Corner Pieces

VF20SC in boxes of 250	VF30C in boxes of 125
VF20LC in boxes of 250	VF40C in boxes of 50

Clips

VF20CL & VF30CL in boxes of 200
DS033 in boxes of 200

Drive Cleats

VF20CT & VF30CT in bundles of 500m, 2000mm standard length.

Clamp

VFGC in boxes of 100

Gasket

570 in cartons of 825m (55 rolls)
571 in cartons of 600m (40 rolls)
572 in cartons of 480m (32 rolls)
572A in cartons of 300m (20 rolls)

Corner Nuts and Set Screws

DS160 - DS163 in boxes of 250

\$1<- 6;<)44)<176

(% ' !3+%4)3 &44%\$!3 / .% #/ .4).5/53,% . '4(/ #/ - 0,%4% 4(% 3%!,
 4(%2% 3(/5,\$ "% ! -).) -5 - /6%2,!0 /& - - 7(%2% 4(% 47/ !2%).
 #/ .4!## /2 7/2+). ' \$5## 02%3352%3 /& !. \$!"/6%
 !\$\$4)/.!, ' !3+%4 3(/5,\$ "% !00,)%\$ 4/ 4(% &/52 #/2.%23 %84%. \$). '
 - - &2/ - 4(% #/2.%2 / .4/ 4(% &,!. '%

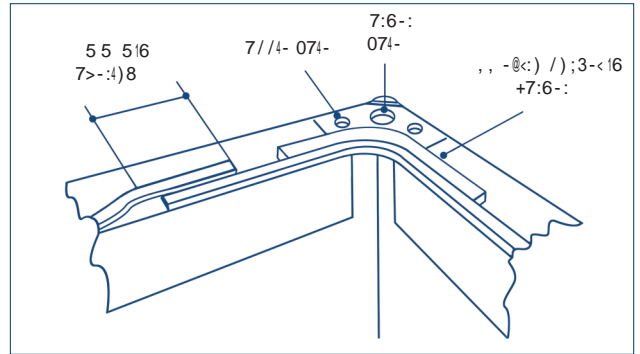
33% - "% 4(% \$5##7/2+ "9 4(% 53% /& .543 !. \$ 3%4 3#2%73 &44%\$). 4/
 4(% #/2.%2 (/,%3 & .%#%33!29 !,)' . 4(% #/2.%2 (/,%3 "9 53% /& 4(%
 */' ,% (/,%3 (% .543 !. \$ 3#2%73 3(/5,\$ "% &). '%2 4)' (4 !4 4)(3 0/).4

- 3% 8 - - 3%4 3#2%7 &/2
- 3% 8 - - 3%4 3#2%7 &/2
- 3% 8 - - 3%4 3#2%7 &/2

)8). '3 3(/5,\$. /4 %8#%\$ - - #%.42%3

/ &4 4(% #,% !43 /2 #,)03 4/ 47/ 3)\$%3 /& 4(% \$5## 2% - /6% / .% #/2.%2
 3%4 3#2%7 !. \$ 3,)\$% 4(% \$2)6% #,% !4 !#2/33 4(% 02/&),% / - 02%33 4(%
 . /3% /& 4(% 02/&),% 4/ '%4(%2 "9 53). ' - /,% '2)03 /2 3) - ,!2

%0% !4 4)(3 /0%2!4)/. &/2 4(% /4(%2 47/ 3)\$%3). !.,9 4)' (4%. 4(%
 #/2.%2 .543 !. \$ 3%4 3#2%73



% \$		% !	
" :7.14-	'	'	' % ' % '
'			
'			
'			

&;- .7: 16)++-; !*4-):-);

7; - , -<)14

==+<

7; -

4)6/ - 8:7.14-

,% !3% - !+% 352% 9/5 !2% 7% !2). ' !\$\$%15!4% #,/4(. ' 7(%
 (!.\$). ' !.9 %80/3%\$ -%4!, %\$ '%3 !3 4(%3% #! . 3/ -%4) -%3 "%
 3(!20

)4% .34! , , !4)/.



Count Durham
 Engineering &
 Manufacturing
 Network