

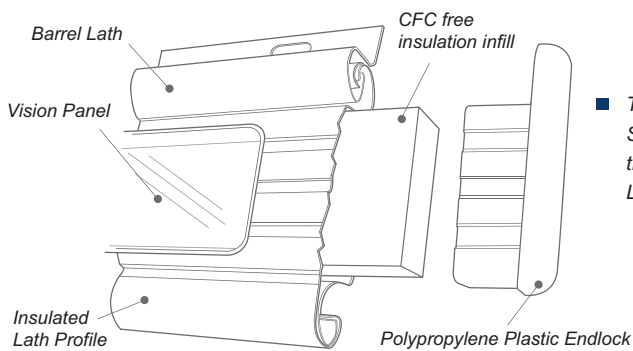
# Doby Industrial Door Systems

Insulated & Traditional Roller Shutter Profiles



- Specifically designed Insulated and Traditional Door Systems.
- Twin skinned lath design with CFC free infill to reduce heat loss.
- Insulated lath can be pre-punched for vision panels if required.
- Full accessory ranges to compliment all door systems.
- Tested in accordance with BS EN 13241-1:2003.
- Traditional door lath can be supplied as either Lath 75mm or Flat Lath 50mm.
- All door systems can be supplied in galvanised, aluminium or Plastisol finishes.

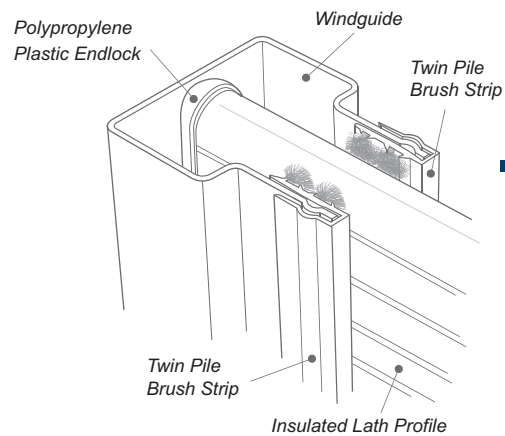
## Insulated Design Specification



■ Typical Cross Section through the Lath Profile

This purposely designed insulated roller shutter door system is for use in factories, garages and warehouse facilities providing both security and reducing energy costs. The twin skinned lath design incorporating a CFC free infill significantly reduces heat loss and keeps sound loss to a minimum.

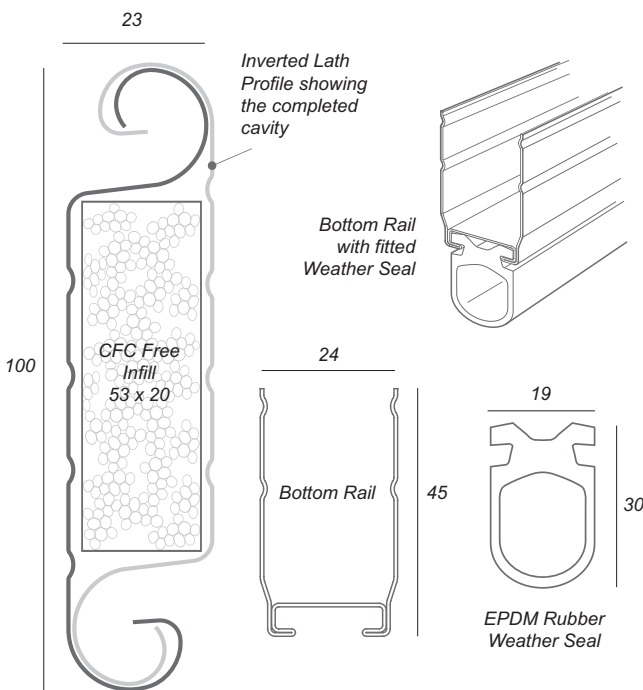
Supplied in a galvanised finish as standard, it's also available in aluminium, plastisol coated and stainless steel. Coupled



■ View down onto the Lath Profile & Guide assembly

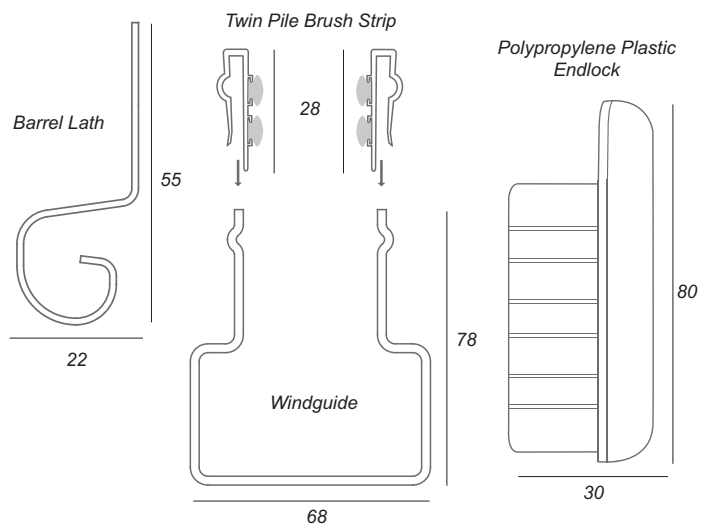
with a specifically designed accessory range they compliment the high thermal efficiency of the door, these are available from stock. Lath is supplied cut to your required length and can be pre-punched for vision panels if required.

Tested in accordance with BS EN 13241-1:2003 and offers an acoustic value  $R_w$  of 29dB, in accordance with BS EN ISO 717-1:1997.



## Product Details

**Shutter Profiles & Accessories** - All dimensions in millimetres



## Product Details & Specifications

### Insulated Lath Profile

code	gauge(mm)	description
TD22	0.7	Insulated Lath

### Rails & Guides

code	gauge(mm)	description
TDBL	1.2	Barrel Lath
TDBR	0.7	Bottom Rail
TDWG	3.0	Wind Guide Galv.

### Accessories

code	description
TDVP	Clear Perspex Vision Panel
TDEL3	Plastic Insulated Endlock <sup>†</sup>
TDIN	CFC Free Insulation Infill

## Doby Traditional Range

### Lath 75mm / Flat Lath 50mm

Tested in accordance with BS EN 13241-1:2003, Lath 75mm Traditional & Flat lath 50mm profiles are supplied in 0.7mm, 0.9mm & 1.2mm galvanised mild steel. A choice of solid, perforated and plastisol finishes are available. All lath profiles are supplied cut to length and pierced ready for endlocks.

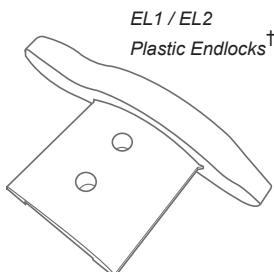
### Roller Shutter Accessories

Channel sections (guide) are available in 50mm, 65mm & 75mm leg heights and in a choice of hot rolled or galvanised mild steel, 65mm & 100mm windguide sections are also available.

Single angled bottom rails (Outside / Inside rail) are available in 52mm & 73mm leg heights and our double angled bottom rail (T rail) is available in either 1.6mm or 2.0mm gauges. All bottom rails are supplied in galvanised mild steel.

We are also able to offer equal (50mm x 50mm) and odd (75mm x 50mm) legged angle sections in either hot rolled or galvanised mild steel in both 3mm & 5mm gauges.

Polypropylene plastic endlocks to suit all of our lath profiles completes our accessories range.



### Accessories cont.

code	description
TDWS	Rubber Weather Seal
TDBS	Twin Pile Brush Strip

### Packing details

	description
Insulated Lath	Supplied cut to length
Barrel Lath*	8m lengths
Bottom Rail*	8m lengths
Windguide*	8m lengths
CFC Free Infill*	1m lengths (100 lengths/bundle)
Plastic Endlock* <sup>†</sup>	Supplied in bags of 250 pieces
Vision Panels	Available upon request
Rubber W/Seal*	Supplied in 25m coils
Twin Pile Brush Strip*	3.2m lengths

\*All available from stock † Polypropylene

### Packing details

	description
75mm Lath	Supplied cut to length
50mm Flat Lath	Supplied cut to length
Channel Guide*	8m lengths
Windguide Sections*	8m lengths
Bottom Rails*	6m & 8m lengths
Angle Sections*	6m & 8m lengths
Plastic Endlock* <sup>†</sup>	Supplied in bags of 250 pieces

\*All available from stock \*\* Alternative lengths available

† Polypropylene

