

Ductwork Components

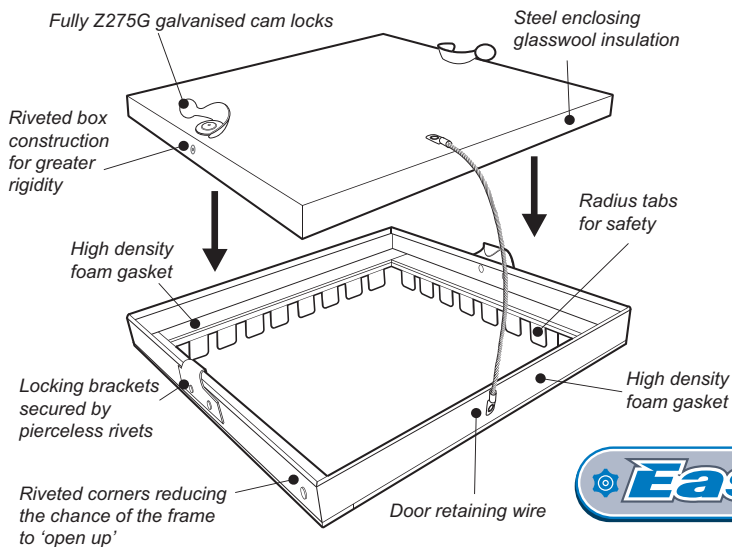
EasyFit Access Doors

Tabbed & Circular Details & Specifications

- Both door types pressure tested Independently by BSRIA & Northumbria University.
- Suitable for all low, medium or high-pressure applications, (to 2000pa positive).
- Tabbed doors come with a fully Z275G galvanised steel coating or stainless steel, including the locking cams. Fully conforms to BESA DW142 regulations.
- Easy fit applications - no sealant or extra fixings required.
- Rounded tabs for safety.
- Supplied with door retaining wire as standard.
- Provides easy access to duct installations for inspection and maintenance.



Tabbed Access Door - UK Made

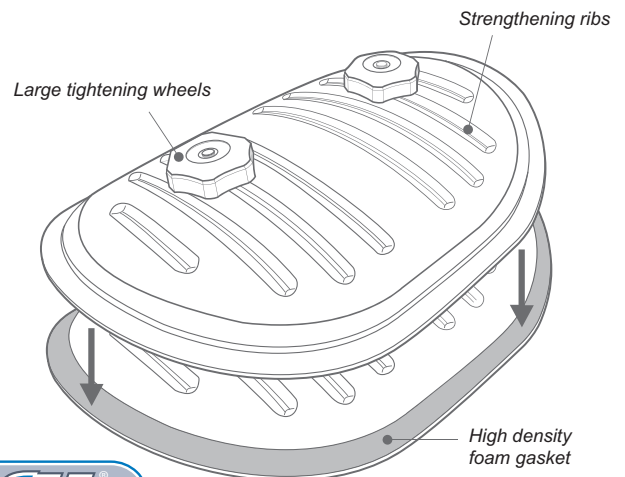


Door panels are constructed from Z275G coated galvanised steel with the door frame made from 0.9mm gauge galvanised steel. Each door is insulated with High density (45kg/m³) glass wool conforming to test GB/T13350-2008 with a class A fire resistance. Thermal conductivity is: 25°C - 0.035 & 75°C - 0.044, tested according to GB/T10294-2008. Internal gasket is of a closed cell high density cross-linked polythene foam. Each Tabbed Access Door fully conforms to BESA DW142 regulations, some imported doors do not meet this standard.

Design Specification

Our duct access doors are designed to provide inexpensive and trouble free access to fire and volume control dampers and associated ventilation and air conditioning equipment mounted within ductwork. Each door comes complete with a retaining wire as standard. These can be omitted upon request. When removing the tabbed access door for inspection, care must be taken. The standard retaining wire

Curved Access Door



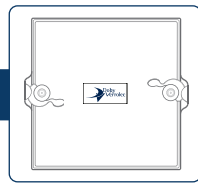
is not designed to be used as the doors only point of support. The range of six sizes have been carefully selected to provide suitably sized apertures relative to the size of ducting required. Our curved doors are suitable for spiral and straight seamed ducts with a size range of 100mm to 2000mm Ø. Every door is supplied complete with a self-adhesive cutting template which eliminates the need for any measuring or marking out.

DW/144/143 Test Results

The doors meet the requirement of HVCA DW144/143 specification regarding air leakage criteria. All doors have been tested and witnessed by both BSRIA - the approved Test House for HVCA (Curved doors) and Northumbria University (Tabbed doors). Copies of Test Certificates are available upon request. Correctly installed, these doors provide an airtight seal up to 2000 Pa. In this respect they meet the requirements of HVCA DW144 Specification, classes A, B and C.



Tabbed Access Doors



References & Sizes

All doors supplied with retaining wire as *standard

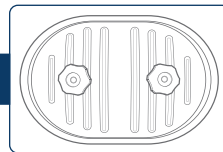
Reference	Door size	Reference	Door size
ADTR10	100 x 100mm	ADTR35	350 x 350mm
ADTR105	100 x 150mm	ADTR40	400 x 400mm
ADTR12	100 x 200mm	ADTR45	450 x 450mm
ADTR15	150 x 150mm	ADTR24	400 x 200mm
ADTR152	150 x 200mm	ADTR34	300 x 450mm
ADTR153	150 x 300mm	ADTR36	300 x 600mm
ADTR20	200 x 200mm	ADTR46	400 x 600mm
ADTR23	200 x 300mm	ADTR50	500 x 500mm
ADTR25	250 x 250mm	ADTR60	600 x 600mm
ADTR30	300 x 300mm		

Key

Stock Sizes

*Can be supplied also without retaining wire upon request.

Curved Access Doors



References & Sizes

Door Ref:	EF18	EF25	EF30	EF40	EF50	EF60
Door Size (mm)	180x80	250x150	300x200	400x300	500x400	600x450
Duct Dia. (mm)						
100	EF1810					
112	EF1811					
125	EF1812					
140	EF1814					
150	EF1815	EF2515				
160	EF1816	EF2516				
180	EF1818	EF2518				
200	EF1820	EF2520				
224	EF1822	EF2522				
250	EF1825	EF2525				
280	EF1828	EF2528				
300	EF1830	EF2530				
315		EF2531	EF3031			
355		EF2535	EF3035			
400	EF2540	EF3040	EF4040			
450	EF2545	EF3045	EF4045			
500	EF2550	EF3050	EF4050			
550		EF3055	EF4055			
560		EF3056	EF4056			
600		EF3060	EF4060			
630		EF3063	EF4063	EF5063		
700			EF4070	EF5070		
710			EF4071	EF5071	EF6071	
800			EF4080	EF5080	EF6080	
850			EF4085	EF5085	EF6085	
900			EF4090	EF5090	EF6090	
1000				EF50100	EF60100	
1120				EF50112	EF60112	
1250				EF50125	EF60125	
1400					EF60140	
1500					EF60150	
1600					EF60160	
1800					EF60180	

Key

Stock Sizes

Material Specification

Tabbed Access Doors

Door Panels - Formed from Z275G galvanised mild steel

Locking Cams & Brackets - Z275G galvanised mild steel

Gasket - Closed cell high density sealing gasket

Internal Insulation - Glass wool GB/T13350-2008

Fully complies with BESA DW142

Door height: 25mm

Curved Access Doors

Door Panels - Formed from galvanised mild steel

Tightening Wheel - Polyamide (Nylon)

Bolts/Nuts - Zinc plated mild steel

Gasket - Closed cell high density sealing gasket

Both door types conform to British Standard BS EN

10142:2000 steel grade & coating specification BS EN

10346:2015 DX51D +Z275 MAC. Stainless Steel

available to special order.

Packing details

Tabbed Access Doors

Ref. No.	Door	Cam No's	Individual Weight (Kg)	Box Weight (Kg)	Box Qty
ADTR10	100x100	2	0.34	10.5	30
ADTR105	100x150	2	0.46	14.3	30
ADTR12	100x200	2	0.57	11.7	20
ADTR15	150x150	2	0.58	12.1	20
ADTR152	150x200	2	0.74	15.3	20
ADTR153	150x300	2	0.99	20.6	20
ADTR20	200x200	2	0.95	19.1	20
ADTR23	200x300	2	1.25	13.2	10
ADTR25	250x250	2	1.25	13.2	10
ADTR30	300x300	4	1.64	17.2	10
ADTR35	350x350	4	1.78	9.4	5
ADTR40	400x400	4	2.40	12.6	5
ADTR45	450x450	4	2.27	14.3	5
ADTR24	400x200	4	2.85	15.0	5
ADTR34	300x450	4	3.15	16.6	5
ADTR36	300x600	4	3.43	14.7	4
ADTR46	400x600	6	4.06	17.1	4
ADTR50	500x500	8	4.19	9.3	2
ADTR60	600x600	8	5.70	12.6	2

Curved Access Doors

Ref. No.	Door	Individual Weight (Kg)	Box Weight (Kg)	Box Qty
EF18	180x80	0.50	5.0	10
EF25	250x150	0.80	8.0	10
EF30	300x200	1.25	12.5	10
EF40	400x300	2.0	10.0	5
EF50	500x400	4.20	21.0	5
EF60	600x450	5.10	5.1	1

For installation please refer to separate fitting instructions.
All dimensions in millimetres

Fitting Instructions

The required aperture for the access door to fit into should be between 30-32mm smaller than the door size being used.

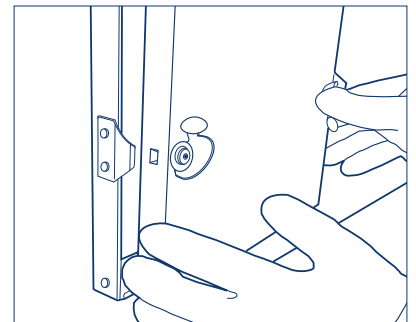
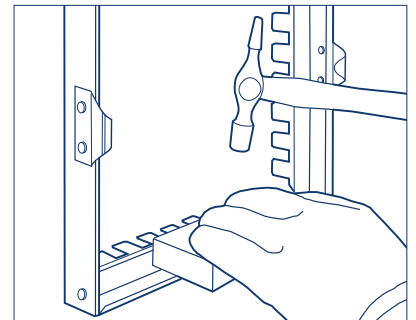
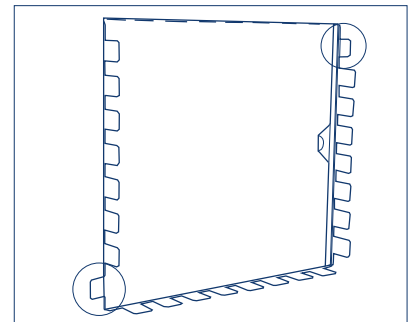
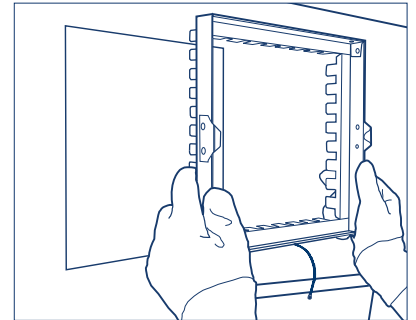
Swing the wire retained door carefully away to the bottom as shown in the diagram opposite prior to fitting. *All doors are connected to the door frame with a retaining wire. When removing the tabbed access door for fitting and later, inspection, care must be taken. The standard retaining wire is not designed to be used as the doors only point of support.

**Can be supplied also without retaining wire upon request.*

Ensure the location is marked on the duct surface at the correct dimensions required for the hole size, cut aperture using Doby Verrolec Turbo Shears or similar equipment. Secure the access door subframe into the aperture by pressing down two tabs from diagonally opposed corners.

Using a support to hammer against, tap over the remaining metal tabs on the fitted subframe and ensure that all tabs are knocked over and the sealing gasket is under compression on all faces, including the corners.

Complete the fit by mounting the remaining door into the frame and tighten the camlocks to the degree of tightness required - do not over tighten. Make sure also that the retaining wire is not snagged between the door and frame.



Safety

The diagrams and text above are shown for guidance purposes only, when working with Shears and Steel products ensure care must always be taken to avoid accidents, suitable PPE protective clothing should be worn to minimise the risk of injury.

